



# Bathtub

40-14140-6, 40-14142-6, 40-14143-6,  
40-14144-5, 40-14145-6, 40-14146-6

User Manual

Mounting Instructions

**Keep this folder with product at all times!**

# General information

---

## Contents

<b>General information</b>	Part Numbers	3
	Technical data	3
<b>User Manual</b>	Daily use	4
<b>Mounting instructions</b>	Mounting	5
<b>Electrical components</b>	Wire diagram	6
	Connections	7
	Control switch hook	7
<b>Labelling</b>	Label	8
	Symbol view	8
<b>Fault finding</b>		9
<b>Maintenance</b>	Maintenance	10
	Cleaning	10
<b>Options</b>	Shower bed tilt able	11
	Mounting of Shower bed	12
	Bed guard, foldable	13
<b>CE-Marking</b>		14
<b>Complaints</b>		15



It is important to read this manual before mounting and daily use.

## Product Information

Product: Bathtub, height adjustable

Producer: Ropox, DK-4700 Naestved, Phone +45 55 75 05 00

Usability - The height adjustable Bathtub can be used for washing and bading children and adults of up to 250 Kg. The Bathtub can be used at home, in day care centre or institutions to obtain good and correct working conditions for the caretakers.

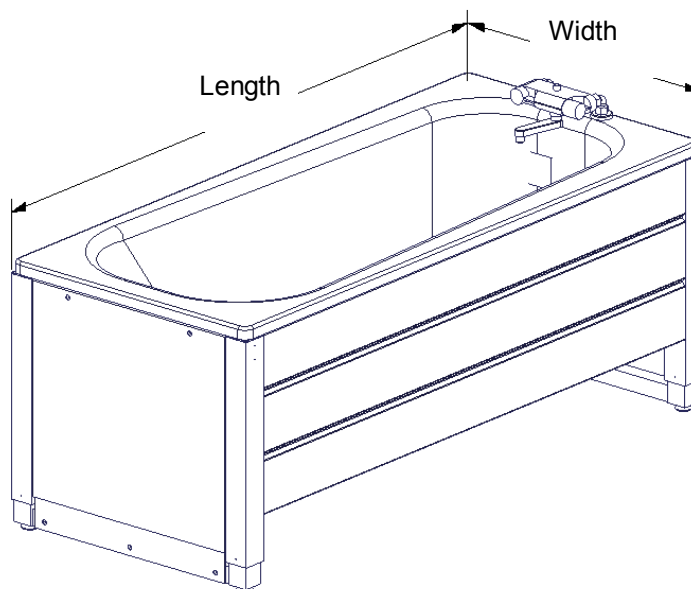
By using the up ▲ down ▼ button on the handheld control switch, the height adjustment of the Bathtub can be performed.

# General information

---

## Part numbers

<u>Length / width</u>	140x70cm	150x70cm	160x70cm	170x70cm	180x80cm	190x90cm
Bathtub	40-14142-6	40-14143-6	40-14140-6	40-14144-5	40-14145-6	40-14146-6



## Technical data

Electrical connection: 230V, 50Hz, max 2.0A, Used parts are type B  
Duty cycle: Max 10%, 2 min/18 min  
Height: Bathtub 65 – 95 cm  
Lever 78 – 108 cm  
Material – Frame: Stainless and aluminium  
Bathtub: Enamelled  
Surface treatment: Powder coating, white RAL 9010 matt, Chromate  
Maximum load: 350 kg. Recommended maximum user weight 250 kg



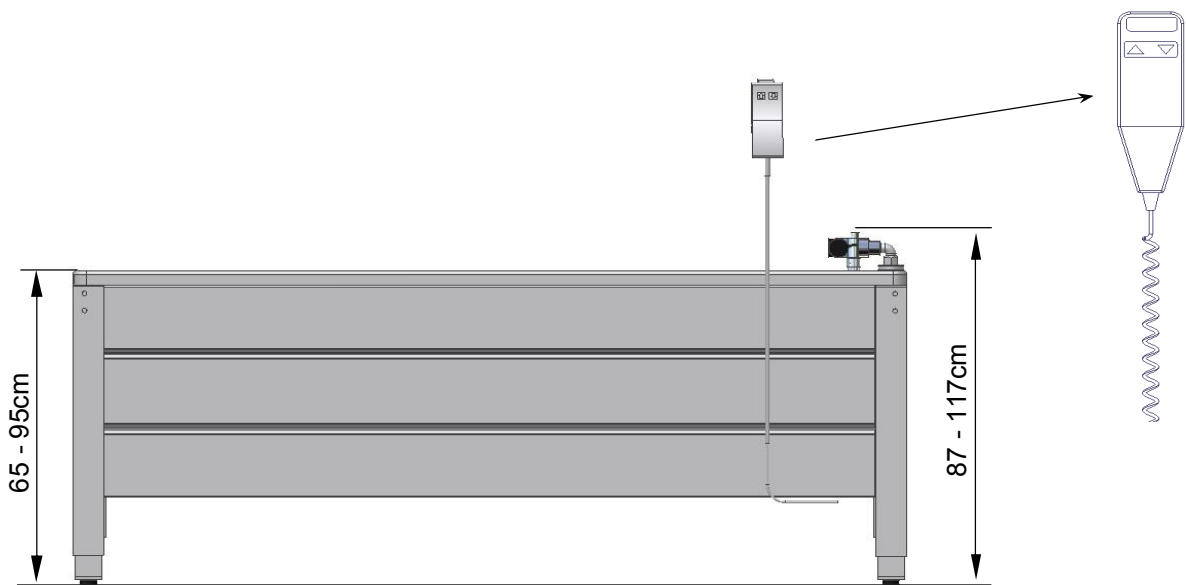
This product has CE-marking according to "Medical equipment, Low Voltage and EMC directives. Has been tested according to the European standards DS/EN ISO 12182 and DS/EN ISO 60601-1. This product is in risk group 1.

## Daily use

The height of the Bathtub can be adjusted between 65-95cm to give the caretaker the most optimal working height

By using the up ▲ down ▼ bottom on the handheld control switch, the height adjustment of the Bathtub can be performed. The control switch has a spiral cord, which can be pulled out to a length of 200cm.

Max. Load incl. water is 350 kg. Recommended max. user weight 250 kg



It is advisable always to leave the Bathtub in lowest position after each use.

Be aware of trapping risk when the Bathtub is moving up or down, also be aware of trapping risk if other products or similar items has been placed up against the Bathtub. Be aware that the Mixer tap is 22cm heigher than the Bathtub. If mounting tiltable Shower bed, the height of the Bathtub will be increased with 5 cm.

If the control switch has been damaged or stopped working, it has to be replaced immediately. The up and down buttons are “push and hold”. The motor stops when the button is being released. This is a very important safety element.

# Mounting Instructions

## Mounting

The Bathtub is delivered fully assembled.

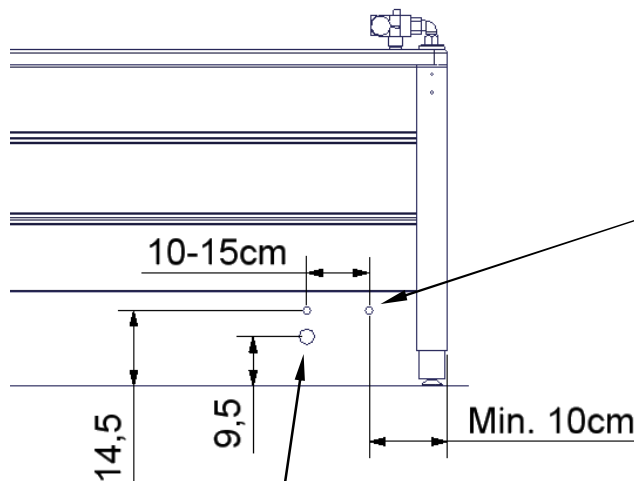
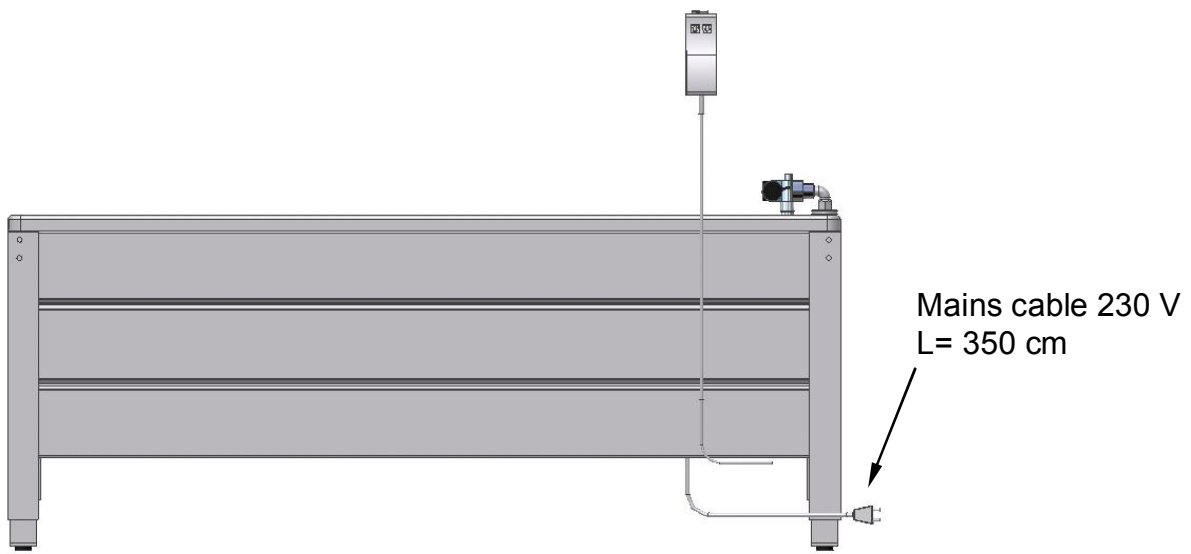
Place the Bathtub on the spot that you want, adjust the 4 adjusting screws under each leg so that it is steady and horizontally.

Connect water inlet, and the outlet connects to the drain.

Mains cable connects to 230V, 50Hz



Placement of the main power socket must be performed according to National or International regulations / standards



Flexible hoses  
L= 100 cm  
Flexible hoses can reach 12 cm outside the frame.  
Hose connections for water is 2 pcs. 1/2" outside thread.

Flexible outlet hose L= 205 cm  
Be aware of the height adjustment of the Bathtub (30cm) when placing the drain!

# Electrical Components

---

## Wire diagram

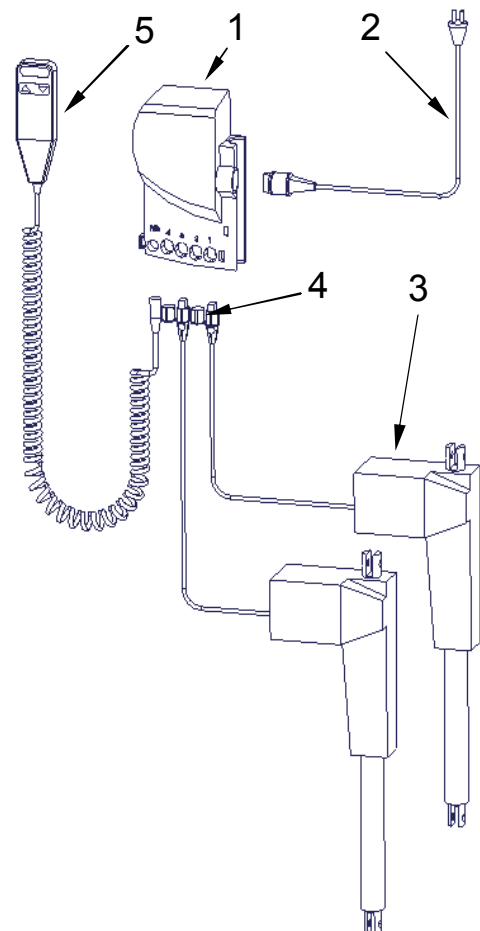
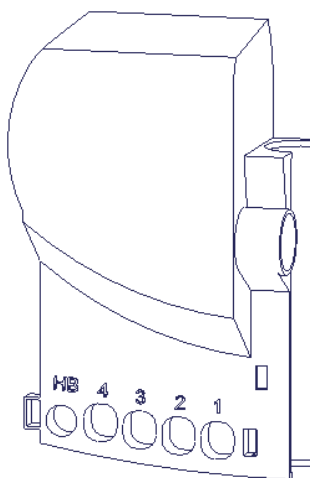
The Bathtub is delivered with the control box already mounted on the frame. The diagram shows how the cables are connected to the control box placed at the inside of the cover panel.

All the plugs are water tight, and therefore they can be a little tricky to connect / disconnect. Make sure that the plugs are positioned correct before they are pushed into the sockets at the control box. The plugs must be pushed into the sockets until the “O-ring” is no longer visible.

Motor, control box and control switch apply to IP66. This means that they are dust tight and protected against heavy seas, or powerful jets of water.

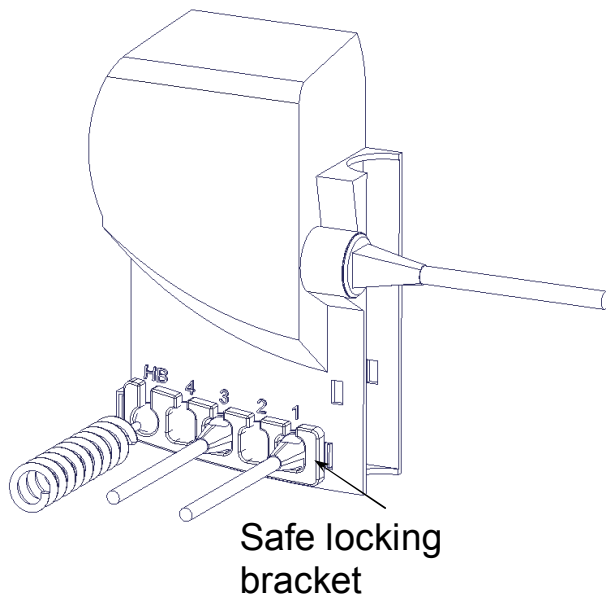
The electronic system are designed for periodical use only, this means a max. duty cycle of 10%; 2min on /18min off.

1. Control box
2. Mains cable 230V
3. Motor, connects to plug 1 & 3
4. End plug, connects to plug 2 & 4
5. Control switch



# Electrical Components

---



## Connections

Motor cables connects to plug 1 & 3. Plug 2 & 4 are not in use and blocked. Control switch connects to "HB". When all cables has been connected, use the safe locking bracket. Pushed in until you hear a "click".

Mains cable connects to the plug at the side of the box.

## Disconnections

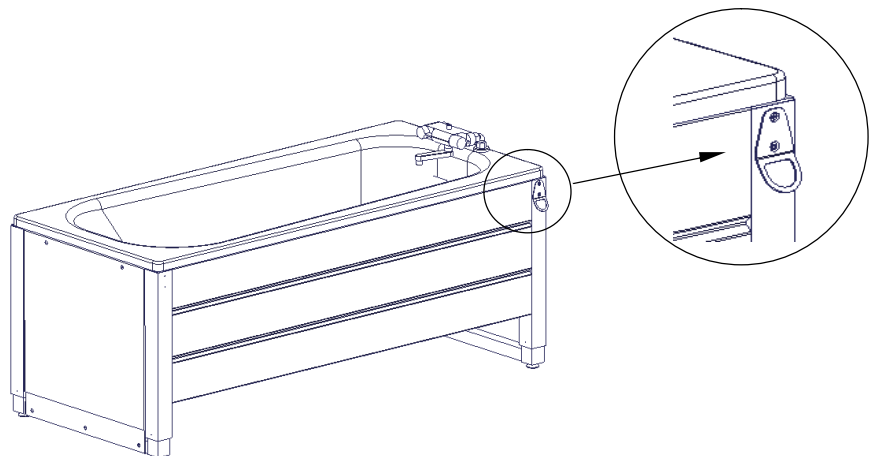
Mains cable can be pulled out (no safe locking bracket). Before the other cables can be disconnected, the safe locking bracket needs to be released / removed. Locking clips at each end of the safe locking bracket has to be released before the bracket can be removed, and the cables can be disconnected.

To obtain the full IP66 value, it is very important that all the plugs has been pressed firmly into the plugs and the safe locking bracket is mounted.

## Placement of the hand control.

Bracket for hand control can be placed at the corner of the bathtub as shown. To be mounted with the two screws that are delivered with the bracket.

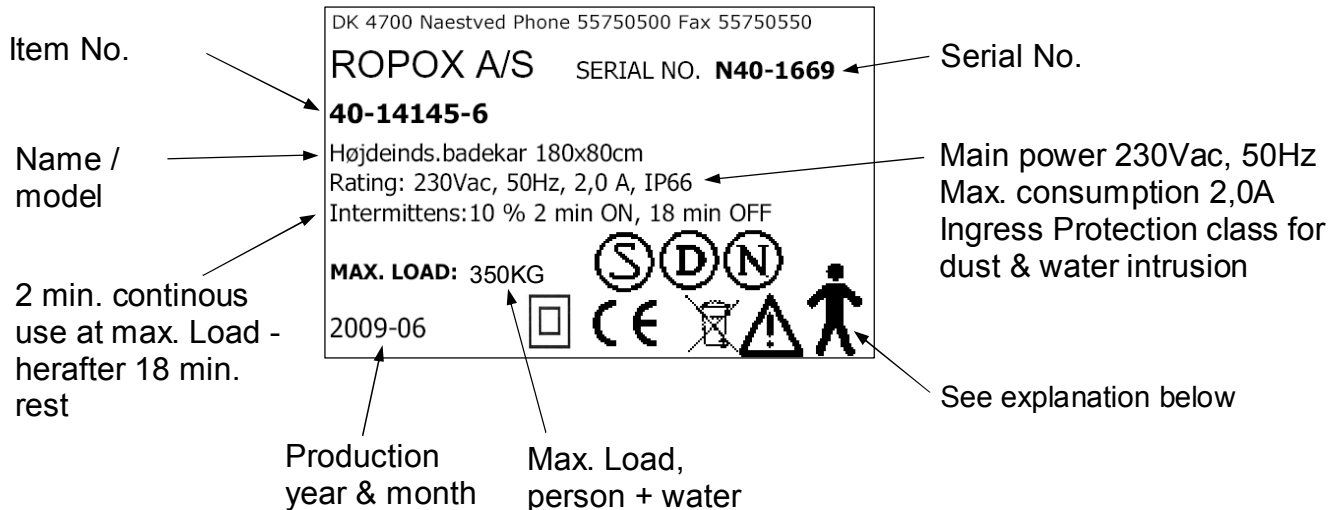
!!! The bracket should only be used when the bathtub is under supervision. In any other situation, the hand control shall be kept out of the reach of children. The bracket can also be placed on the wall. This for safety reasons only.



# Marking

## Label

Each bathtub has its own label as shown. The label contains many information's which is very important to specify when contacting your supplier. It also shows main power supply.



## Symbol view:



User Manual must be read before use



Waste must be sorted. Most parts for re-use.



NEMKO approval



DEMKO approval



SEMKO approval



Type B equipment. As for EN 60601-1



Class 2 equipment. Without earth connection.



CE-marking. This product complies to the demands for general safety and functionality in the relevant EU directives and standards.

### EMC information



The bathtub comply to the demands for electromagnetic compatibility (EMC), if installation and daily use is according to instructions in this Manual.

In seldom situations the bathtub might be affected by electronic signals from ex. Portable computers, cell phones etc.

# Fault finding

---

## Fault finding

Bathtub do not move up or down by using the hand control	Check if: Main power connected 230V. Motor is connected to control box Hand control is connected to control box Motors are over loaded
Hand control defect	Check if: Bathtub works with another hand control
Bathtub is not horizontally	Remove main power for 1 minute, connect again. Push the down button ▼ until you reach bottom position, and keep button pressed another 20 sec. to perform a reset.

### Waist handling



Used equipment shall be disposed according to the National law. We recommend to dismantle the product to the greatest extent possible, in a way that most parts can be reused. Be aware that this product contains electronically components. Example for groups this product can be sorted in: metal, plastic, cables, electronics and parts for destruction.

### Factors affecting the operation



Temperature: 5°C to 45°C  
relative humidity: 5% to 85% non-condensing

### Factors affecting storage and transport



# Maintenance and cleaning

---

## Maintenance

### After one month:

Check: Mounting of the Mixer tap  
Connections for Flexible hoses / hoses

### Once a year (minimum):

Bring the bathtub to the top position and check that:

Bolts in top and bottom of the motors are tightened  
All connections (inlet and waste) are ok, and without any damages.  
Lever and shower head are working correct without any damages.  
Frame and cover plates are in good condition.

## Cleaning

To clean the bathtub do not use a high-pressure washer. The bathtub is not machine washable.

Simply use a soft cloth or sponge with soapy water of max 60°C. Always clean the bathtub after use to prevent dirt from sticking to the surface.

Important:

Do not use scouring powder or other abrasives as they may scratch the paint and cover plates. Also avoid the use of cleaning utensils with sharp edges. Never use strong mineral acids or alkali.

## Bathtub

Enamelled bathtubs have a hard and smooth surface. They are easy to keep clean, using for instance a detergent and a soft brush or sponge.

Always clean the bathtub after use to prevent dirt from sticking to the surface.

Important!: Do not use scouring powder or other abrasives as they may scratch the enamel. Also avoid the use of cleaning utensils with sharp edges. Never use strong mineral acids or alkali.

The bathtub may be used for washing of clothes, using normal detergents.

However, do not soak for a longer period of time as certain detergents may contain aggressive substances.

## Mixer tap, hand shower and shower hose:

Clean the hand shower at regular intervals with a soft cloth or soapy water.

Decalcify and remove dirt deposits with vinegar and rinse carefully with clean water. Decalcify the air mixer of the mixer tap at regular intervals.

To clean the chromium-plated surfaces do not use strong cleaning agents.

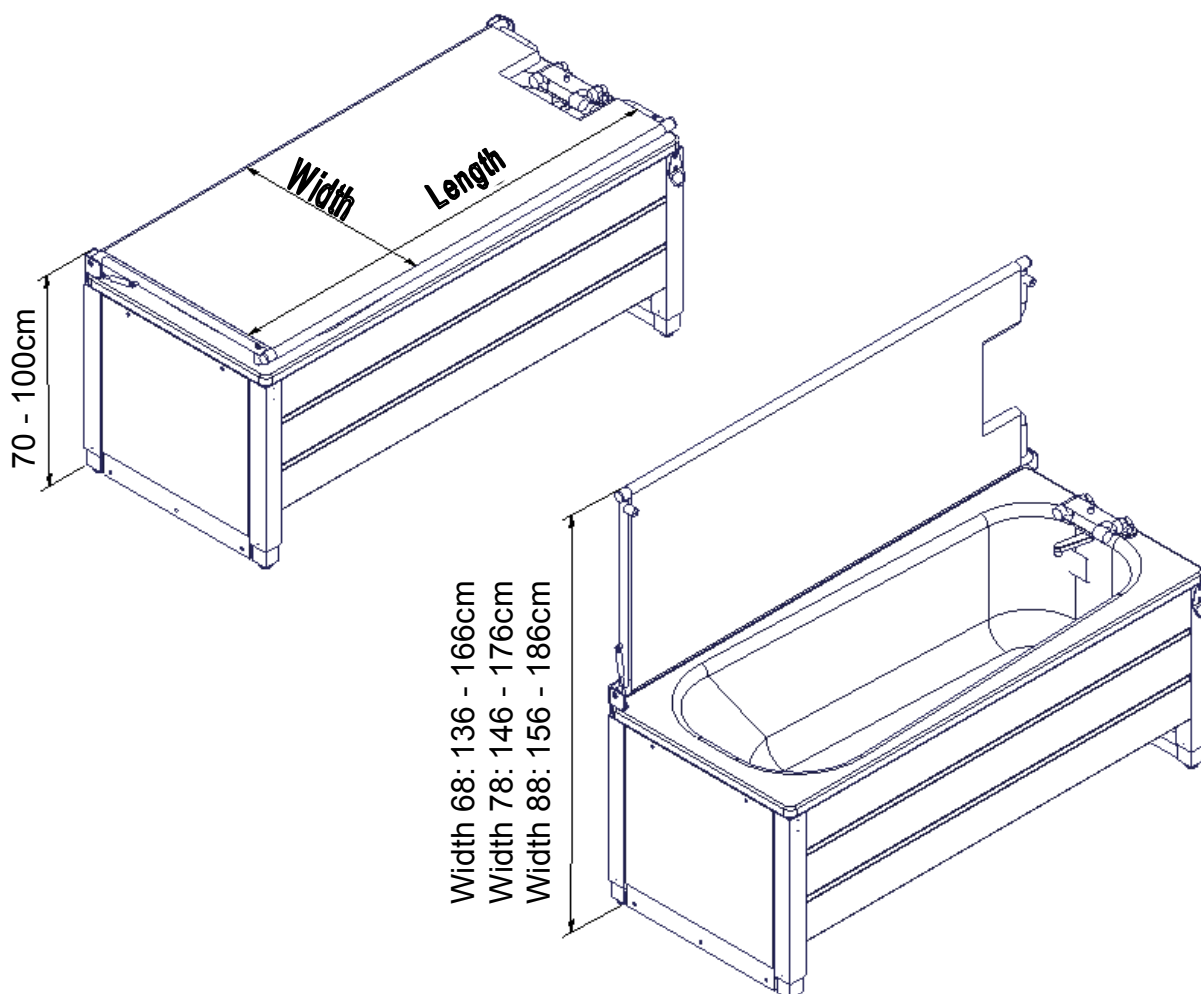
# Options

## Shower bed, tilt able

Tilt able shower bed can be supplied as an option, and mounted on existing bathtubs. The shower bed can be mounted either right or left hand side. See mounting. Available sizes according to this scheme.

<u>Length/width</u>	129x68cm	139x68cm	149x68cm	159x68cm	169x78cm	179x88cm
Shower bed	40-14102	40-14103	40-14100	40-14104	40-14105	40-14106
Bathtub	40-14142	40-14143	40-14140	40-14144	40-14145	40-14146

Please be aware that when mounting the shower bed, the height increases with 5cm.



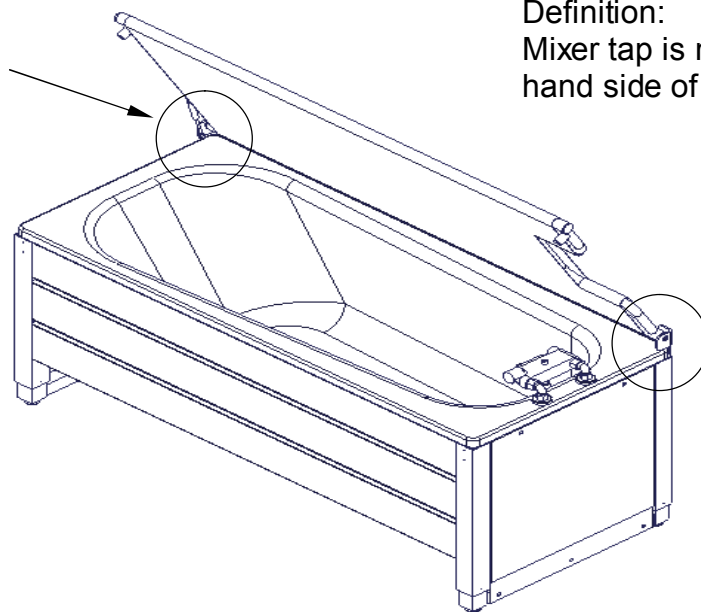
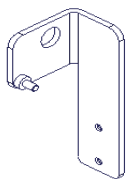
# Options

---

## Mounting the Shower bed

If the shower bed has been ordered together with the bathtub, it will be mounted "right". If you wish to have it mounted "left", you need to specify that when placing the order.

"Right"  
bracket



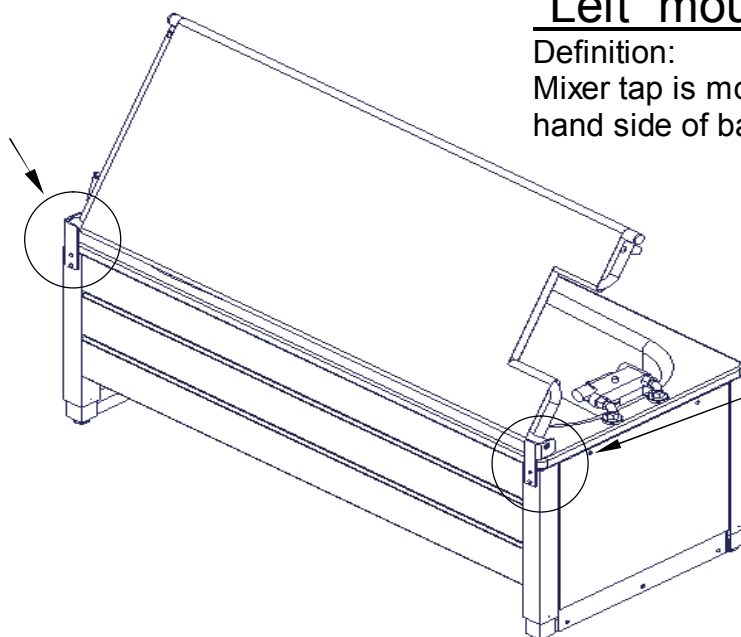
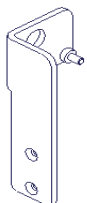
### "Right mounted"

Definition:  
Mixer tap is mounted in right hand side of bathtub

"Right"  
bracket



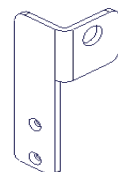
"Left" bracket  
40-14100-031



### "Left" mounted

Definition:  
Mixer tap is mounted on left hand side of bathtub

"Left" bracket  
40-14100-030



# Options

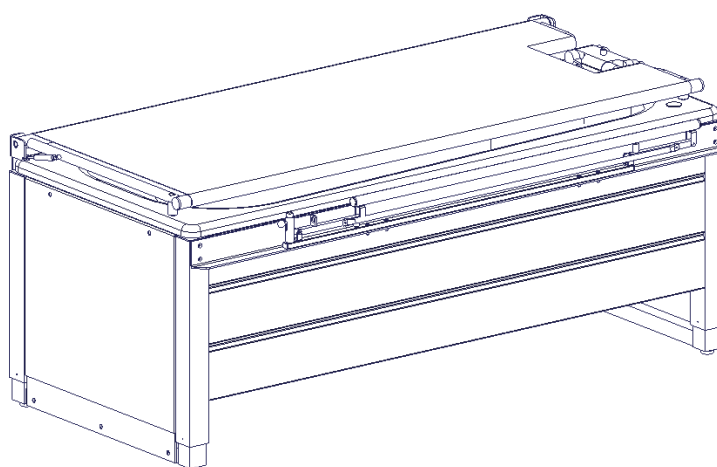
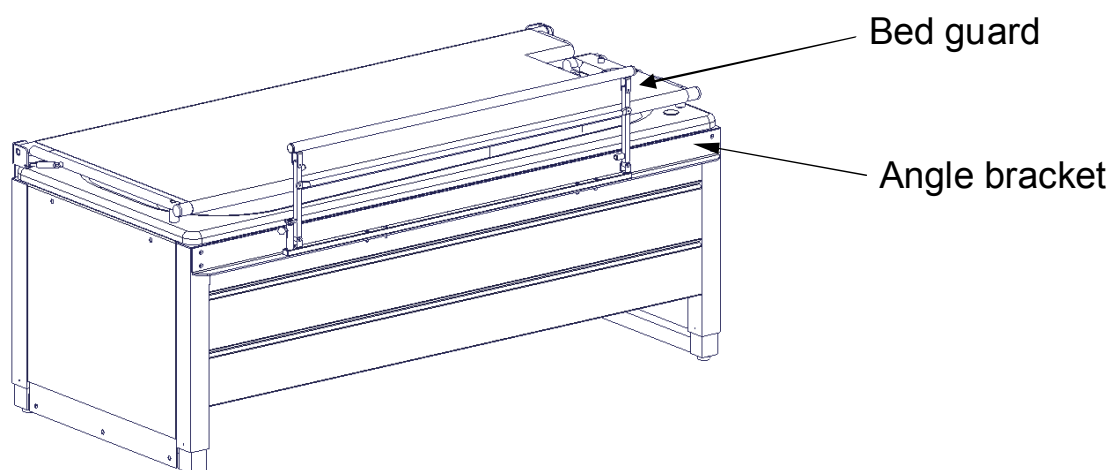
---

## Bed guard, foldable

Foldable Bed guard in length 110 cm is available as an option. To be mounted on the side of the bathtub on the angle bracket.

Be aware that the Bed guard is the same, but the angle bracket is delivered in different lengths, depending on the length of the Bathtub.

Angle bracket	40-25950	40-25952	40-25953	40-25954	40-25955	40-25956
Bed guard 110cm	40-25962	40-25962	40-25962	40-25962	40-25962	40-25962
Bathtub	40-14142	40-14143	40-14140	40-14144	40-14145	40-14146



## EU – Declaration of Conformity



I hereby declare under sole responsibility that the following products:

40-14140	Aqua line Bathtub	length x width	160 x 70 cm
40-14142	Aqua line Bathtub	length x width	140 x 70 cm
40-14143	Aqua line Bathtub	length x width	150 x 70 cm
40-14144	Aqua line Bathtub	length x width	170 x 70 cm
40-14145	Aqua line Bathtub	length x width	180 x 80 cm
40-14146	Aqua line Bathtub	length x width	190 x 90 cm

are all under Classification Class I and in conformity with the following directives and standards:


### **DIRECTIVES**

- The Council Directive No.93/42EEC, concerning Medical Devices amended through Directive No.98/79/EC
- 73/23EEC Directive for Low-voltage, amended through Directive No.93/68/EEC
- 89/336/EEC, EMC-Directive, amended through Directives No.92/31/EEC and 93/68/EEC

### **STANDARDS**

DS/EN	1041: 2009	DS/EN ISO	10993-1: 2009
DS/EN	14971: 2008	DS/EN	60601-1+CORR: 2006
DS/EN	12182: 2002	DS/EN	60601-1-2: 2007
DS/EN ISO	9999: 2009		

Date: 17-07-2009

---

Tommy Jensen  
Adm. direktør

# Complaints

---

See General Terms of Sale and Delivery on [www.ropox.com](http://www.ropox.com)



**ROPOX A/S**

Ringstedgade 221  
DK – 4700 Naestved

Tel.: +45 55 75 05 00 Fax.: +45 55 75 05 50

E-mail: [info@ropox.dk](mailto:info@ropox.dk)

[www.ropox.com](http://www.ropox.com)