

Important Information!

Due to UK Electrical Regulations differing from European Regulations, please note the following details regarding the electrical connection.

Mounting

The Bathtub is delivered fully assembled.

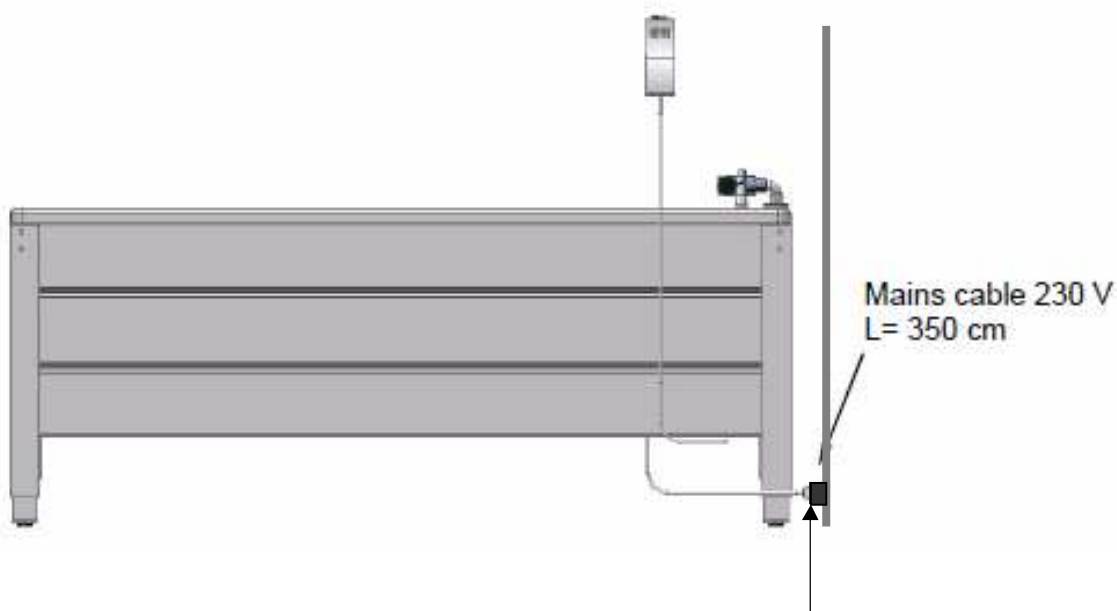
Place the Bathtub on the spot that you want, adjust the 4 adjusting screws under each leg so that it is steady and horizontally.

Connect water inlet, and the outlet connects to the drain.

Mains cable connects to 230V, 50Hz



Placement of the main power socket must be performed according to National or International regulations / standards

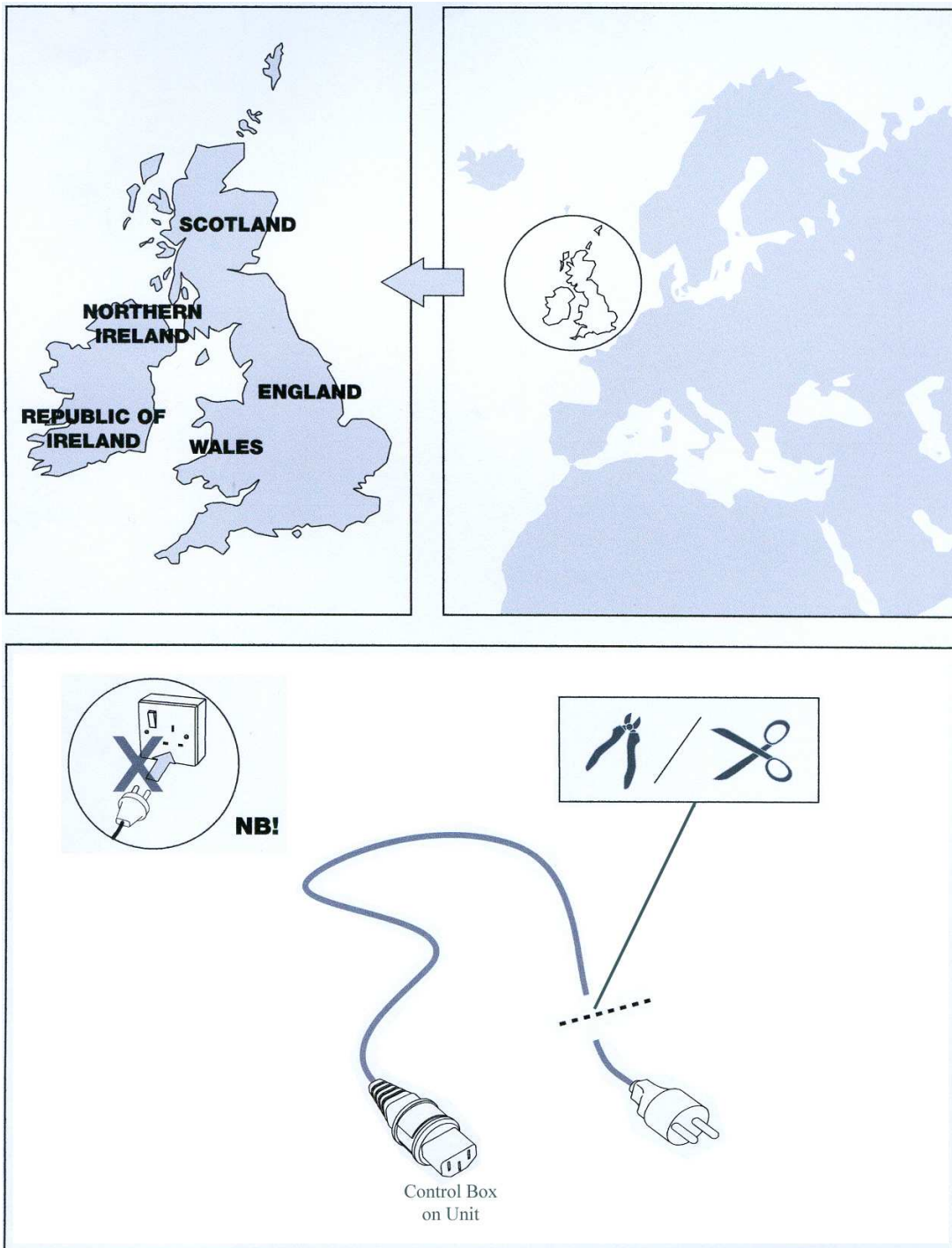


The electric outlet must be placed according to the Low-voltage Directive No. 73/23/EEC.
IP X4/5 Junction Box

Re: Electrical connection:

Due to this product being imported from Europe, the Bath may be supplied with a plug on the end of the electrical mains cable.

Please remove any plug and hard wire into a water proof junction box, in accordance to the latest UK Electrical Installation Requirements.



The room into which the product will be installed must comply with the latest electrical zoning / building regulations, a qualified electrical engineer should advise on this. These regulations stipulate the minimum distance from water sources to electrical equipment in the room.

This product requires a suitable mains power supply

**Installation of this product should not be carried out unless an
Electrical Installation Certificate
(Including Test Details)
is available to the person installing prior to the work commencing. This certificate is normally held by
the householder / property owner.**

Part P of the Building Electrical Safety Regulations applies to domestic dwellings where persons reside or share a common supply of electricity with a business premise. These regulations are effective from 1st January 2005. At the very least residential type properties require a confirmation in writing that the installation complies with the requirements of BS 7671.

The electrical installation for this product shall conform to the following specification. A competent electrician must carry out the electrical installation and be consulted at all times:

1. The supply shall be 230V, 50Hz, 13 amp, Single Phase & Neutral on a fused spur.
2. The supply shall be protected by a suitably rated RCD with a 30mA trip and shall be of a dedicated type, i.e. supplying the shower changer installation only. (Not supplied with unit) A suitable isolation switch (double pole) should be included in a suitable location within sight of the shower changer. (not supplied with unit)
3. The supply shall terminate at an agreed position nominally to one side of the product at low level. If this is not possible then other locations will be considered, the water ingress risk must be minimised when considering other locations. Kingkraft is to be consulted in this event. This box must not interfere with the rise / fall of the unit.
4. The supply shall terminate in an enclosure of IPX5 or IPX6 rating; the enclosure shall have facility for "glanding off" using waterproof compression glands to preserve the IPX5/6 rating of the installation. (Not supplied with unit)
5. The Enclosure shall be 100mm x 100mm x 50mm in dimension.
6. This product must be earthed.
7. The entire electrical installation shall comply with the requirements of BS 7671.
8. Upon completion of the electrical installation those responsible for the Electrical Installation shall issue a copy of the Electrical Installation Certificate (Including Test Details) over to the installer for his records
9. It is anticipated that the room will comply with the Building Regulations 2000 and in particular "Approved Document P" and associated sections. Any departure from these Regulations must be brought to the attention of Kingkraft at the time of tender.

Please ensure only competent individuals undertake the above work and remember at all times to consult Kingkraft if there is any doubt.