

ROFOX

Better ways to better days

Note!!

Please read the enclosed
product information
before
the product is
mounted / installed
and used.

Kingkraft

Kingkraft Limited
26D Orgreave Crescent
Dore House Industrial Estate, Sheffield, S13 9NQ, England

Tel: 0114 269 0697 Fax: 0114 269 5145
E-mail: info@kingkraft.co.uk

User manual
for Bathtub
40-14140

ROPOX

Better ways to better days

PRODUCT INFORMATION



Product: Height adjustable bathtub
Art.No.: 40-14140
EDP No.: 40-14140-7
Producer: Ropox, DK-4700 Naestved, Tel. +45 55 75 05 00

User Instructions

A height-adjustable bathtub is ideal for bathing and changing etc. of children and adults up to 250 kg.

The bathtub is used in the home, in the day-care centre or in institutions. It offers proper working postures for the helpers and facilitates transfer of the user.

The bathtub is adjusted in height by activating the buttons of the hand control up ** or down □ . See the enclosed User Instructions.

Warning!! If you place/mount other products immediately near by the bathtub there is a risk of squeezing when the bathtub is moved up/down. See User Instructions.

Mounting

See the enclosed Mounting Instructions.

Maintenance

See the enclosed Maintenance and Cleaning Instructions.

Cleaning

See the enclosed Cleaning Instructions.

Technical data

Product: Height adjustable bathtub
Art.No.: 40-14140
EDP No.: 40-14140-7
Mains voltage: 230 volts, 50 Hz, max.0.8A
Height: Bathtub 65 - 95 cm, Mixertap 78 - 108 cm
Length x width: 160 x 69,5 cm
Material: Frame: Welded steel tubes St.37
Surface treatment: Powder coating, white RAL 9010 mat
Chromium-plating
Max. load: 250 kg, see User Instructions
Producer: Ropox, DK-4700 Naestved, Tel. +45 55 75 05 00
Price: See valid price list
Guarantee: See sales and delivery conditions

Magnetic Motor Kit

Actuator IP 64
Hand control IP 66
Control unit IP 66

Spare parts

97000591 Actuator
97000539 Control unit, parallel
97000538 Hand control for 2 actuators
97000533 Mains cable for Matrix control unit
95041250 Bolt M12x50
95180512 Lock nut M12
97001318 Mixer tap
97001319 Spout for mixer tap
97001370 Hand shower
97001371 Hose for hand shower

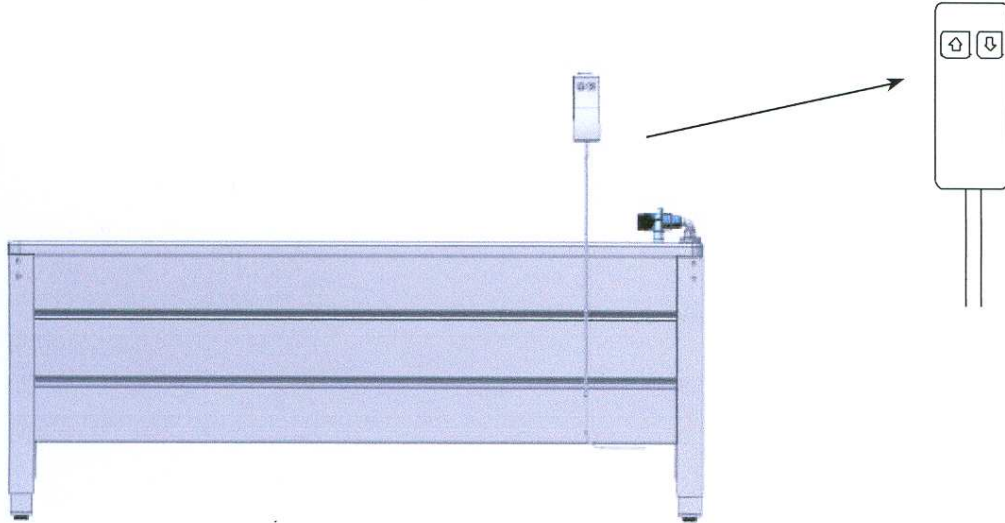
Accessories

40-14100-7 Shower bed
40-14120-8 Bracket for Hand shower

User Instructions

The bathtub is adjusted in height by activating the up * or down □ buttons on the hand control.
The height is adjustable from 65 – 95 cm..

Note! Max. load on 250 kg, is excl. water in the bathtub.



Attention !!

Please be aware of the risk of squeezing when the bathtub is run up/down, in case other products have been placed immediately nearby.

In particular we draw your attention to the end with the mixer tap, because it is 13 cm higher than the rest of the bathtub.

The height is further increased if the holder for shower is used.

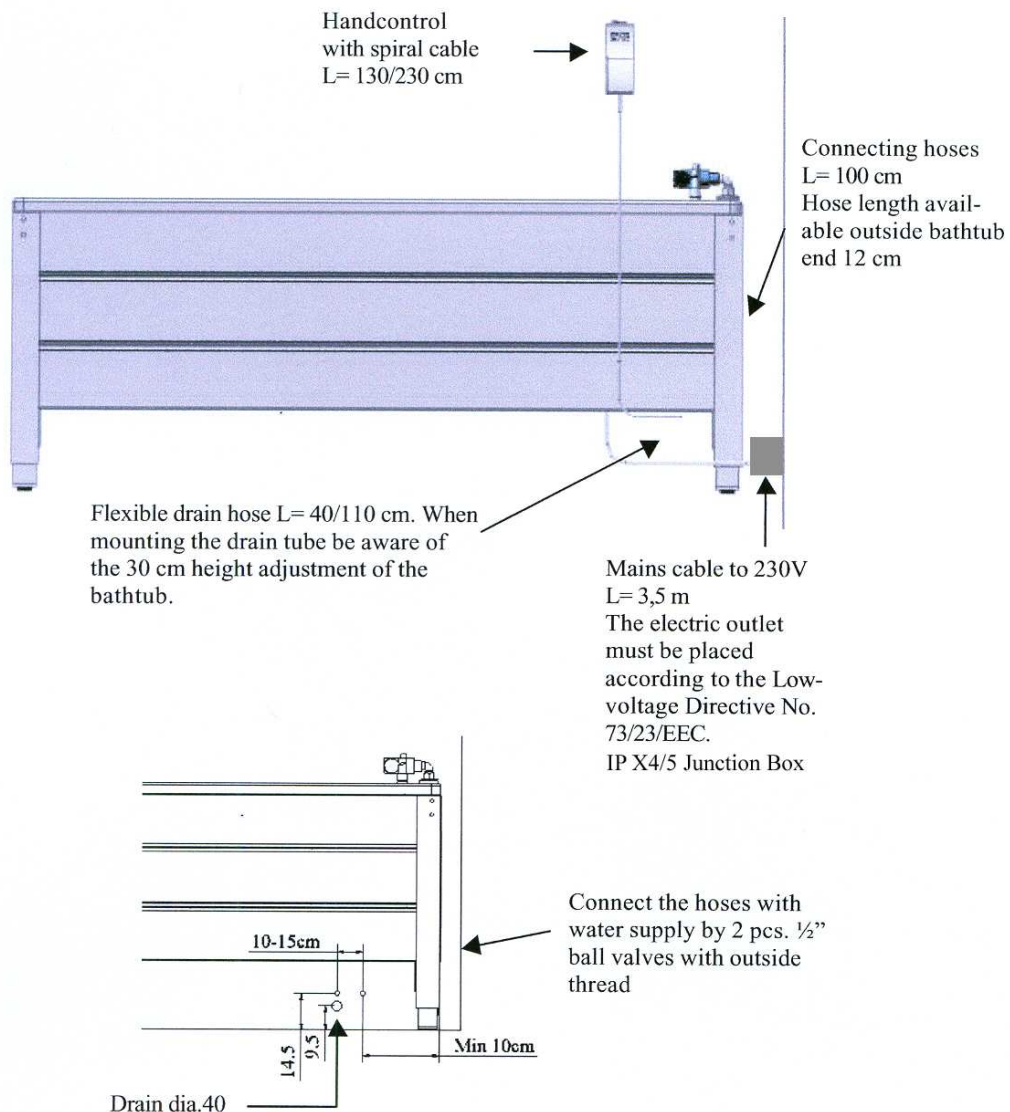
Mounting Instructions

Mounting of bathtub

The bathtub is delivered as an assembled unit.

Place the bathtub at the required place. The screws at the bottom must be so adjusted that the bathtub does not tilt. The bathtub may be arranged with one side or with the gable end with the mixing battery against the wall. The latter solution offers better working conditions for the care assistant.

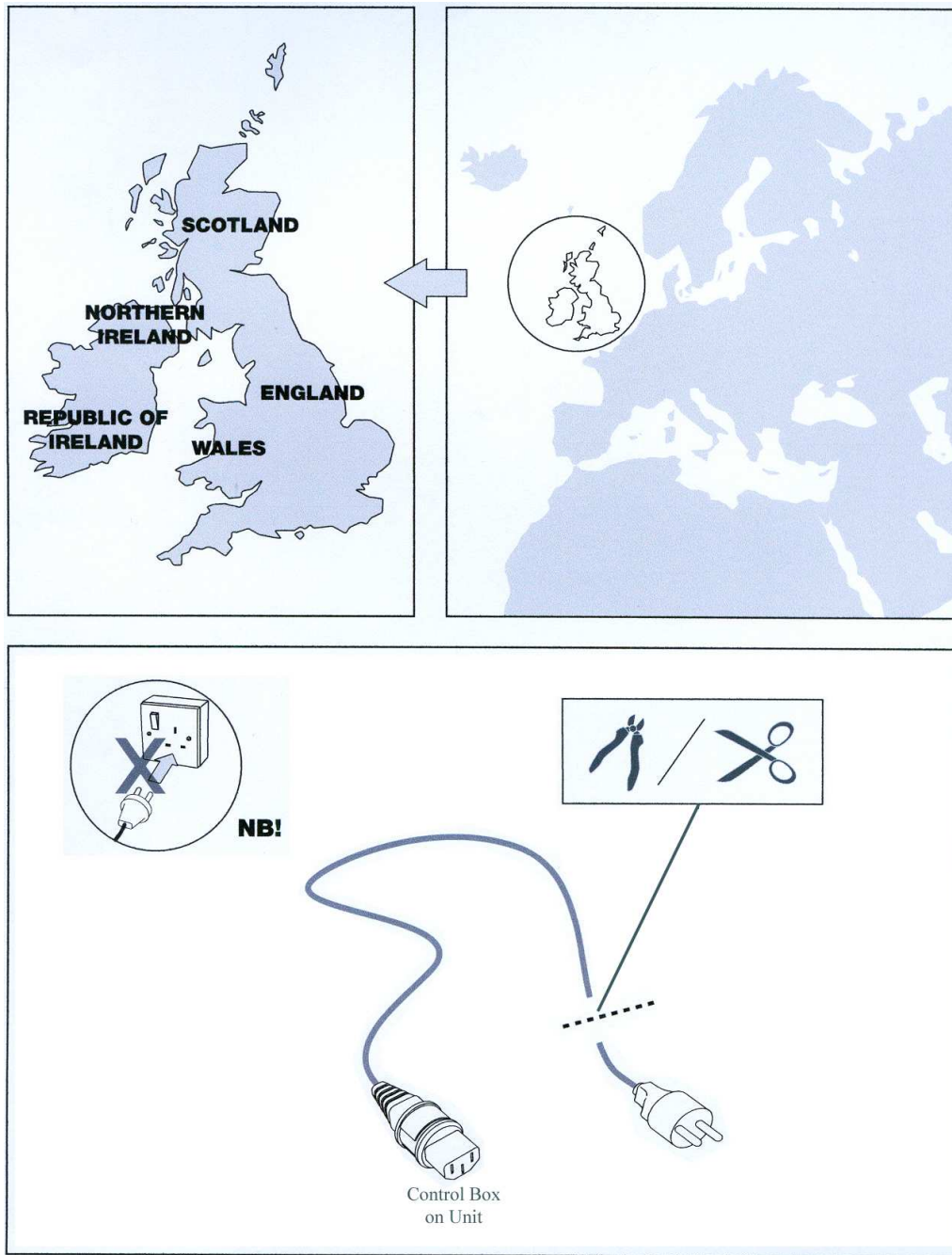
Now connect the water supply and the drain hose with the drain in the floor or on the wall as illustrated on the sketch. The hoses are extended through the side of the bathtub as the end gable is covered with a plate. The control unit is placed at the same end as the mixing battery. Connect the cable of the control unit to 230 volts A.C. Please be aware of the regulations concerning electrical outlets in damp rooms.



Re: Electrical connection:

Due to this product being imported from Europe, the Bath may be supplied with a plug on the end of the electrical mains cable.

Please remove any plug and hard wire into a water proof junction box, in accordance to the latest UK Electrical Installation Requirements.



The room into which the product will be installed must comply with the latest electrical zoning / building regulations, a qualified electrical engineer should advise on this. These regulations stipulate the minimum distance from water sources to electrical equipment in the room.

This product requires a suitable mains power supply

**Installation of this product should not be carried out unless an
Electrical Installation Certificate
(Including Test Details)
is available to the person installing prior to the work commencing. This certificate is normally held by
the householder / property owner.**

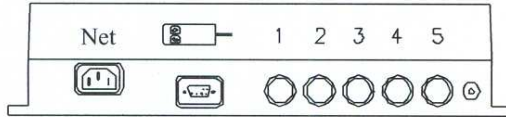
Part P of the Building Electrical Safety Regulations applies to domestic dwellings where persons reside or share a common supply of electricity with a business premise. These regulations are effective from 1st January 2005. At the very least residential type properties require a confirmation in writing that the installation complies with the requirements of BS 7671.

The electrical installation for this product shall conform to the following specification. A competent electrician must carry out the electrical installation and be consulted at all times:

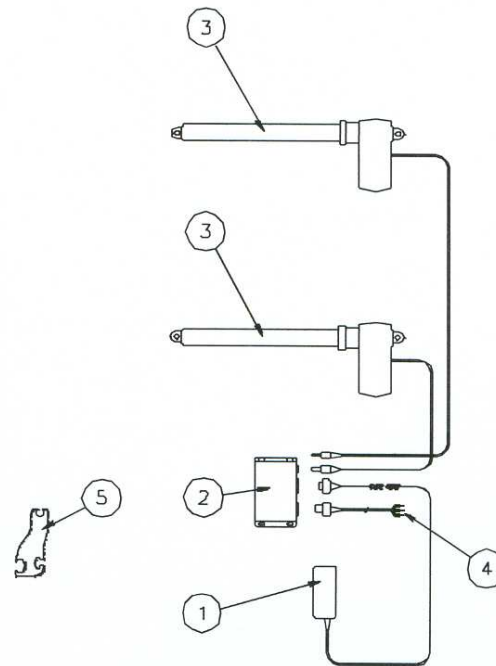
1. The supply shall be 230V, 50Hz, 13 amp, Single Phase & Neutral on a fused spur.
2. The supply shall be protected by a suitably rated RCD with a 30mA trip and shall be of a dedicated type, i.e. supplying the shower changer installation only. (Not supplied with unit) A suitable isolation switch (double pole) should be included in a suitable location within sight of the shower changer. (not supplied with unit)
3. The supply shall terminate at an agreed position nominally to one side of the product at low level. If this is not possible then other locations will be considered, the water ingress risk must be minimised when considering other locations. Kingkraft is to be consulted in this event. This box must not interfere with the rise / fall of the unit.
4. The supply shall terminate in an enclosure of IPX5 or IPX6 rating; the enclosure shall have facility for "glanding off" using waterproof compression glands to preserve the IPX5/6 rating of the installation. (Not supplied with unit)
5. The Enclosure shall be 100mm x 100mm x 50mm in dimension.
6. This product must be earthed.
7. The entire electrical installation shall comply with the requirements of BS 7671.
8. Upon completion of the electrical installation those responsible for the Electrical Installation shall issue a copy of the Electrical Installation Certificate (Including Test Details) over to the installer for his records
9. It is anticipated that the room will comply with the Building Regulations 2000 and in particular "Approved Document P" and associated sections. Any departure from these Regulations must be brought to the attention of Kingkraft at the time of tender.

Please ensure only competent individuals undertake the above work and remember at all times to consult Kingkraft if there is any doubt.

Electrical connection Height adjustable bathtub



1. Hand control
2. Control unit
3. Magnetic Actuator Ecomag, plug 1 and plug 2 of control unit
4. Mains Cable for 230 volts connection
5. Plastic key for plug



The above diagram shows how to connect the actuator, power and hand control to the Magnetic control unit.

The system is designed for periodical use with a cyclic duration factor of max. 10%, 1 min./9 min.

Hand control and control unit:

The hand control and the control unit meet IP 66, meaning that they are dust and hose-proof, which offers a high degree of flexibility in installation. However, we have chosen a position at the bathtub end opposite to the end with the mixer tap.

Actuators:

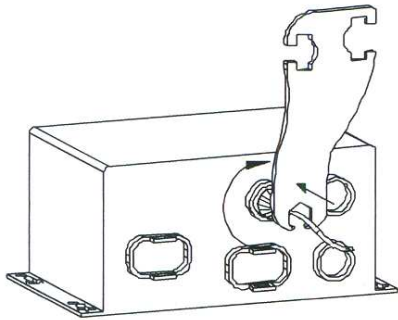
The actuators meet IP 64, meaning that they are dust-proof and wet-strong. However, do not hose directly at the actuators.

Electrical connection:

The actuator, hand control and mains cable are connected as shown in the diagram. As all plugs are waterproof it may be difficult to mount/dismount them. See that they are positioned correctly and press them home (until the O-rings are no longer visible). See the description on the following page.

After connecting make sure that there are no objects under the bathtub that may get squeezed, and lower the bathtub to the bottom position.

The bathtub is now ready for use.



Plug for actuator

Mounting:

Press the circular jack plug from the actuator into the control unit and lock it by turning it clockwise by means of the plastic key provided.

Dismounting:

Unlock the jack plug by turning it counter-clockwise before pulling it out. It may be tight because of the O-ring sealing.

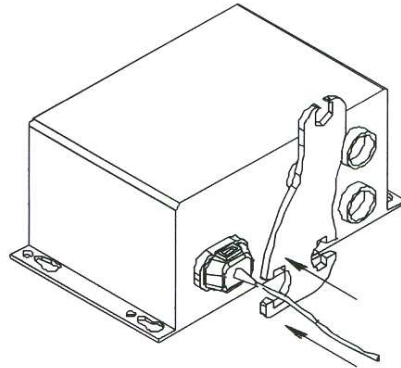
Plugs for power and hand control

Mounting:

Check that the plug is positioned correctly. Press it home till you hear the sound of a click.

Dismounting:

Before pulling out the plug widen the lock clips by pressing the plastic key over the plug. Now pull out the plug. Leave the key in place while you pull out the plug.



GENERAL FAULT FINDING

The bathtub does not move up/down Check that :
when you activate the hand control:

The control unit has been connected to 230 volts and that the switch has been turned on.

The actuator has been connected to the control unit

The hand control has been connected to the control unit.

The actuator is not overloaded.

The hand control is defective:

Check if:

The bathtub functions when you install another functional hand control.

The bathtub does not move straight
The ends are not of equal height:

Disconnect the mains voltage for one minute.

Now lower the bathtub to the bottom position.

Maintenance and Cleaning Instructions

After one month

Check: Mounting of mixer tap
Hoses and fittings

At least once a year

Raise the bathtub to its top position and check:

Bolts at the top and bottom of the actuator for tightness
Water supply and drain
Mixer tap and hand shower
Cover plates

Daily/at regular intervals

Cleaning Instructions

Frame with cover plates:

To clean the bathtub do not use a high-pressure washer. The bathtub is not machine-washable. Simply use a soft cloth or sponge with soapy water of max 60°C. Always clean the bathtub after use to prevent dirt from sticking to the surface.

Important:

Do not use scouring powder or other abrasives as they may scratch the paint and cover plates. Also avoid the use of cleaning utensils with sharp edges. Never use strong mineral acids or alkali.

Degree of protection:

| | | |
|---------------|-------|--|
| Actuator: | IP 64 | Dust-proof, protected against splashing. |
| Control unit: | IP 66 | Dust-proof, protected against strong water jets. |
| Hand control: | IP 66 | Dust-proof, protected against strong water jets. |

Bathtub:

Enamelled bathtubs have a hard and smooth surface.

They are easy to keep clean, using for instance a detergent and a soft brush or sponge. Always clean the bathtub after use to prevent dirt from sticking to the surface.

Important:

Do not use scouring powder or other abrasives as they may scratch the enamel. Also avoid the use of cleaning utensils with sharp edges. Never use strong mineral acids or alkali.

The bathtub may be used for washing of clothes, using normal detergents. However, do not soak for a longer period of time as certain detergents may contain aggressive substances.

Hand shower and shower hose:

Clean the hand shower at regular intervals with a soft cloth or soapy water. Decalcify and remove dirt deposits with vinegar and rinse carefully with clean water.

Decalcify the air mixer of the mixer tap at regular intervals.

To clean the chromium-plated surfaces do not use strong cleaning agents.