

Kingkraft

Kingkraft Limited
26D Orgreave Crescent
Dore House Farm Industrial Estate
Sheffield, S13 9NQ

Tel: 0114 269 0697 Fax: 0114 269 5145
e-mail: info@kingkraft.co.uk
www.kingkraft.co.uk



Installation Instructions for Kingkraft Contour Bath

Please read very carefully

IIC - Issue 3 - 01.01.10 - MC

Contents

Installation Instructions

Installation Procedures + Before Starting

Beginning Installation + Mixer Valves

Positioning Bath

Final Checking and Commissioning of Mixer Valves

INSTALLATION INSTRUCTIONS

Recommended Installation Procedures for Kingkraft Contour Bath, mains and battery powered Variable Height and Fixed Height versions. Instructions are also given for the connection of the whirlpool if supplied.

These instructions form recommended guidelines for installing the above equipment. They should be read in conjunction with the Pre Installation Instruction available from Kingkraft.



The Kingkraft Contour Bath is intended for use by people with disabilities, who require assistance with bathing. Bathing should be safe and pleasurable for the user and Carers and the following points must be considered carefully before attempting installation of the bath.

1. The bath is normally supplied with mixing valves to control the supply of hot water to the bath. If these are incorrectly set up, there is a danger of scalding.
2. If an electrical supply is connected to the bath it must be installed by a competent electrician to the latest standards for electrical installation in bathrooms. This includes using armoured cabling and waterproof connections and particularly the supply must be a separate circuit protected by an earth leakage detector and residual current device installed in the appropriate position and to the required standards. The bath must be adequately earth bonded. Please refer to current IEE regulations for this type of installation.
3. The bath will be supplied with a lifting frame (unless it is a fixed height version). This must be installed in such a manner as to allow free movement through the whole of its travel without straining any connected pipes or wires.

Kingkraft Ltd can provide full telephone or on site assistance with installation if this is required. Please call the company and we will be pleased to help if possible.

We always recommend that commissioning of the bath is carried out by Kingkraft qualified personnel.

Installation Procedures

The Contour Bath is normally supplied assembled, apart from the lower skirting. These components may include the following -

Tub section. With or without whirlpool system including spout, waste(s), trap(s), and controls, on/off water taps for bath and shower, shower hose and handset, cushions and supports.

Base frame either fixed or variable height. If powered by mains power, a control box with armoured cabling will be fitted for connection to a suitable supply point. If the bath is battery powered, there will be a battery and control box on the frame or wall mounted with a separate charger unit and spare battery for remote mounting in a safe dry area.

Mixer valves. These are specified by the client as either on board, non-adjustable, or wall mounted adjustable versions.

Wall Mounted Adjustable Option -

If the valves specified are the user adjustable versions, they can be wall mounted in close proximity to the bath where convenient for the users and the GRP cover used to conceal the pipework.

Pre-set Temperature On Board Option -

Alternatively the non-adjustable versions are mounted within the body of the bath, for maintenance access the end panel will need to be removed, so access to this area is required.

Before Starting

Check that all the required services, as per the Kingkraft Pre-Installation Instructions, are available in the correct positions and to the required standards. See earlier documents.

The bath (not fixed height version) is intended to travel up and down. This necessitates locating it in a position where it will not touch surrounding walls or objects and will not present a hazard to users and carers such as by trapping hands or other body parts against walls or projections (radiators, ledges etc.). The 'Vertical Rise' frame requires minimal end clearance from walls.

The bath has a fold down side. When selecting the position for the bath, the necessary clearance should be allowed for it to be fully extended in safety. The bath can be installed against a wall or in an island position.

The tap / drain end can be at either end of the bath depending on the specification. The bath will need to be secured to the floor. Check that the positioning of any fixings to be used will not interfere with any under floor pipe work or cables. Remember that the bath is heavier than a conventional unit and is rated to support a bather of up to 135Kg in weight. Together with

the weight of water in a full bath, it is imperative that the floor is fully load bearing. A counterweight(s) is supplied for positioning on the rear legs of the frame.

Beginning Installation

Having determined the required position of the bath, piping up the supply can begin. If the on board valves option has been specified, the hot and cold supplies should be positioned centrally at the drain end. If pipework is plumbed under the bath from outside area covered by the bath, through the lower skirting panels, the skirting **and top panel** will require trimming to avoid clashing / hitting the pipework when raising / lowering the bath.

Positioning the Bath -

At this stage, the bath can be positioned. Remember that the drain of the bath is caused by the frame and not the bath itself: See the sticker to confirm direction of drainage. Position the complete assembled bath where required and very carefully operate the bath through the full extent of it's travel to ensure free up / down movement without any fouling. Secure the frame to the floor with suitable fixings always taking care regarding under floor services. When the Contour Bath is being installed, the tub is already attached to the frame but the bottom skirts will now need to be applied using the fixings on the separate parts.

Connect the water supply flexible pipes to the hot and cold supply, using non-return valves. Isolation valves are supplied to allow the bath to be isolated from the water supplies for maintenance. Also connect the waste hose (using PTFE tape and a suitable bush if required) and using armoured cabling on any exposed wiring, connect any electrical components (i.e. raise / lower actuator, whirlpool pump) to a suitable waterproof distribution box.

Please read the requirements for the electrical supply on our pre-installation sheet.

NOTE: ALL WIRING MUST BE UNDERTAKEN BY A COMPETENT PERSON TO THE LATEST IEE REGULATIONS GOVERNING THIS TYPE OF INSTALLATION AND ALL CONNECTION BOXES MUST HAVE THE CORRECT IP RATING FOR THE APPLICATION. The bath must be adequately earth bonded.

At this stage do not as yet attempt to put any supplied cushioned supports in the bath or attempt to use the bath. The cushions may become stained before the pipework is flushed.

FINAL CHECKING OF THE BATH & COMMISSIONING OF THE MIXER VALVES

- **Check all electrical connections are correct and secure.**
- Check all pipe work joints are correct and secure.
- Check all bolts and pins on the base appear correctly positioned and secure.
- Check for full and free movement of the bath and that this movement presents no danger to the user or carers.
- Check the operation of the opening side. It should open without fouling any adjacent objects and the operation of the locking mechanism should be checked.
- Check the operation of the taps and waste mechanisms. .

Whirlpool (if Fitted) -

- Fill the bath above the whirlpool jets with clean water and check the operation of the whirlpool system. IF THE BATH HAS A WHIRLPOOL SYSTEM PLEASE REFER TO THE MANUFACTURERS INSTRUCTIONS REGARDING THE USE AND PARTICULARLY THE DISINFECTATION ROUTINES FOR THIS SYSTEM PRIOR TO USE. The system must be regularly cleaned and disinfected in use with suitable frequency and with the correct fluids. Kingkraft supply recommended cleaners.

The Mixer valves must be commissioned in accordance with DO8 procedures. These can be found in instructions supplied with the bath. Kingkraft normally adjust the valves to give a maximum 43 °C for the bath fill and 38 °C for the shower. Do not attempt to use the bath if these valves have not been installed and commissioned in accordance with the DO8 procedure.

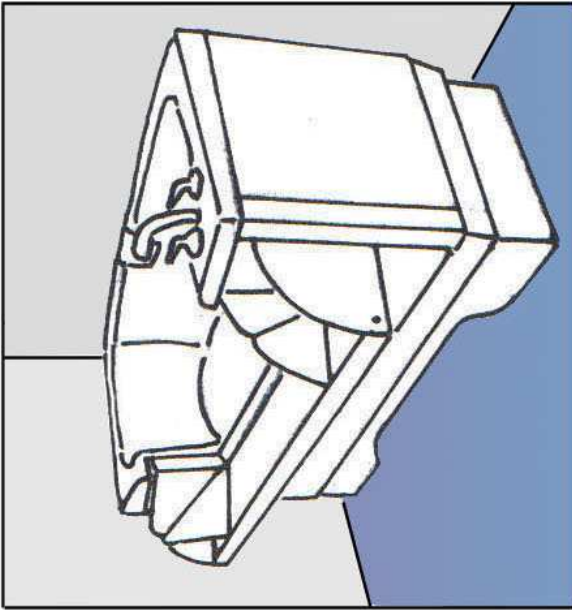
Finally insert the cushions and any other supports supplied in the bath. If there is any doubt in the user's mind as to the correct use of the bath and its supports then please ring Kingkraft immediately for advice and assistance.

(0114 269 0697)

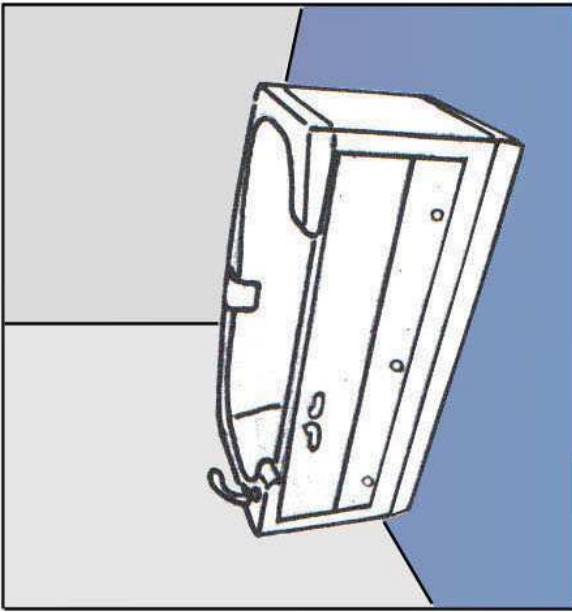
The logo for Kingkraft, featuring the brand name in a bold, serif font. The letters 'K', 'I', 'S', and 'H' in the word 'KINGKRAFT' are stylized with a dot above them, resembling a crown or a specific design element. The logo is presented with a slight shadow or reflection effect below it.

Contour Bath Installation Positions -

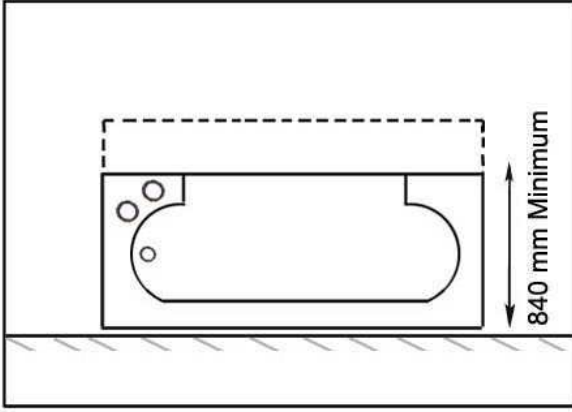
Bath against wall or in corner



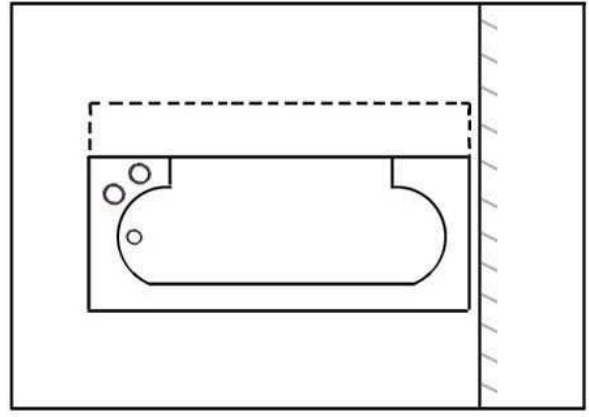
Island or end against wall



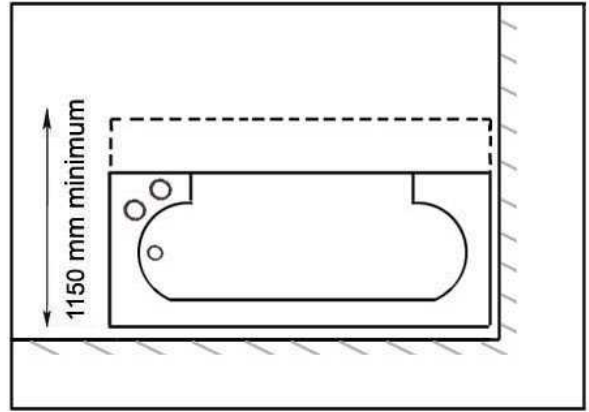
Position A



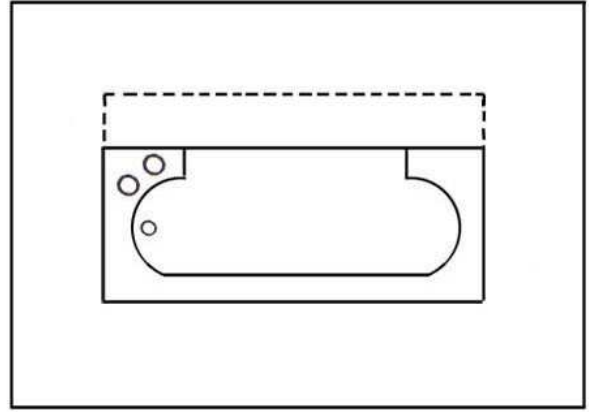
Position E



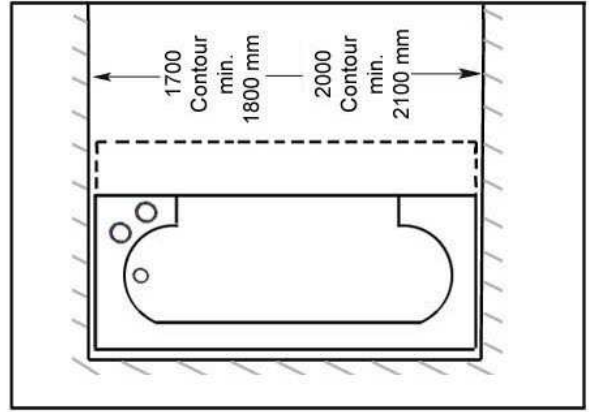
Position D



Position C



Position B



* Right Hand Unit shown - reverse for Left Hand Unit