

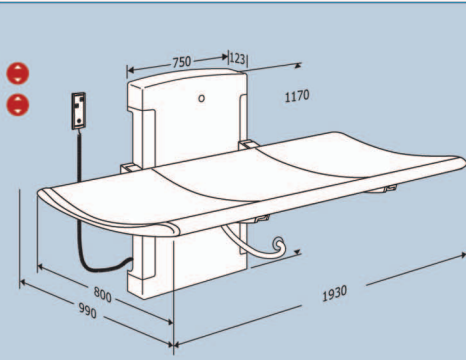
Nursing bench – adjustable height

1800 mm, 700 mm adj. height, electric motor **R8518**

1300 mm, 700 mm adj. height, electric motor **R8513**

When mounted at the recommended height, the nursing bench's height can be adjusted from 300 to 1000 mm above floor.

For placement of the electrical installations, see page 55.



R8518

Projection when folded: 330 mm



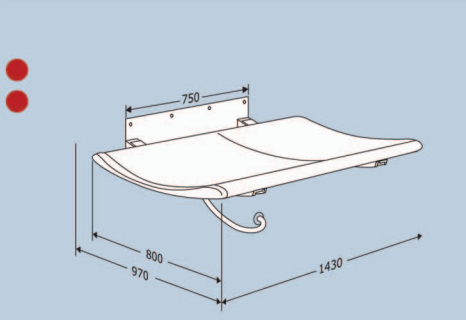
R8518

Nursing bench - fixed height

1800 mm **R8508**

1300 mm **R8503**

When the bench is mounted at the recommended height, the lying surface height is 865 mm above floor.



R8503

Projection when folded: 300 mm

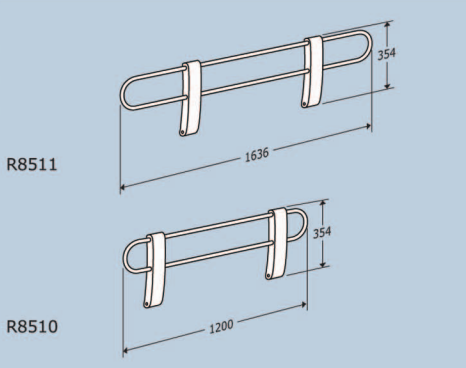


R8508

Safety rail

1636 mm **R8511**

1200 mm **R8510**



R8511

R8510



R8511